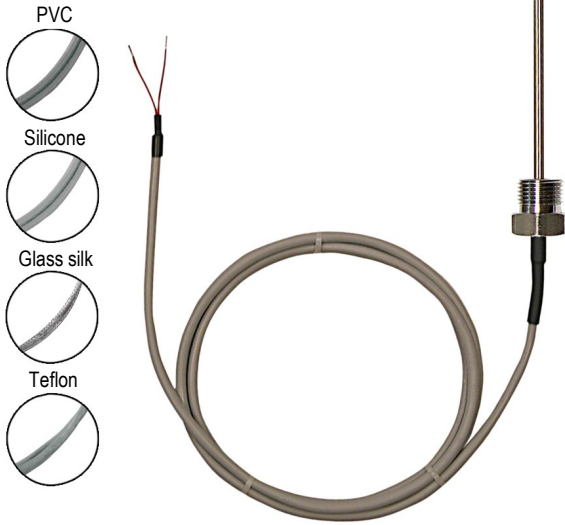


**Temperature probe
with cable at resistive element
with fixing fitting**

SFR 50 / SFRD 50



PROBE FEATURES

- Temperature probe mounted on conductive cable with stainless steel contact tip and fitting.
- Measuring range (according to cable):
From -50 °C to +400 °C (PT100 and PT1000).
From -20 °C to +120 °C (NTC).
- 2 wires (SFR) or 4 wires (SFRD) for NTC and PT1000 outputs
- 3 - 4 wires (SFR) or 6 wires (SFRD) for PT100 output.
- For other resistance types PT25, PT50, PT500, PT200 or NI, please contact us.

TECHNICAL FEATURES

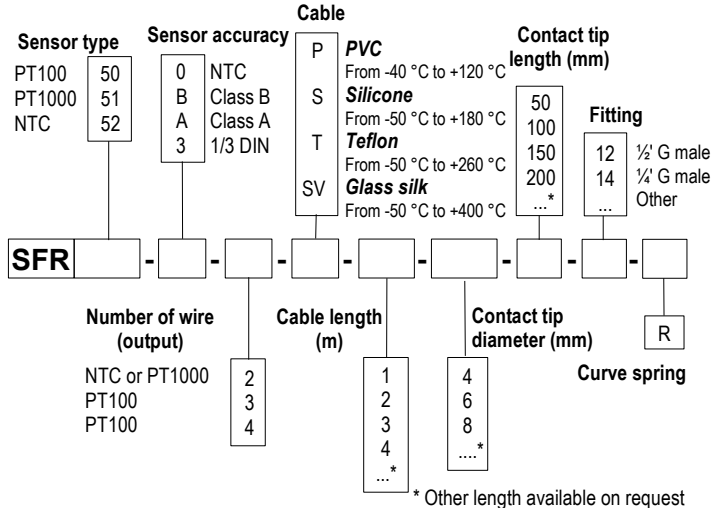
Operating temperature (According to cable)	From -50 °C to +400 °C (PT100 and PT1000) From -20 °C to +120 °C (NTC)
Accuracy *	PT100 or PT1000: see "Tolerances" table NTC: see "Tolerances" table
Sensor type	PT100 or PT1000: class B, class A and 1/10 DIN as per IEC751 NTC: resistance at 25 °C, R ₂₅ = 10 KΩ Nominal Beta value B25/85 = 3.695 K ±1%
Storage temperature	From -20 °C to +80 °C
Operating temperature of cable	PVC: from -40 °C to +120 °C Silicone: from -50 °C to +180 °C Teflon (PFA): from -50 °C to +260 °C (Shielded is optional) Glass silk with stainless steel sheet: from -50 °C to +400 °C
Compression fitting	Inox 316 L
Thread	¼" or ½" Gas screw nut
Contact tip	316 L stainless steel, watertight crimping with heat shrink tubing. (Except glass silk cable with standard mounting on stainless steel duct) Optional: curve spring

No 4-wire mounting for 4mm Ø contact tip

*all accuracies indicated in this technical datasheet were stated in laboratory conditions, and can be guaranteed for measurements carried out in the same conditions, or carried out with calibration compensation.

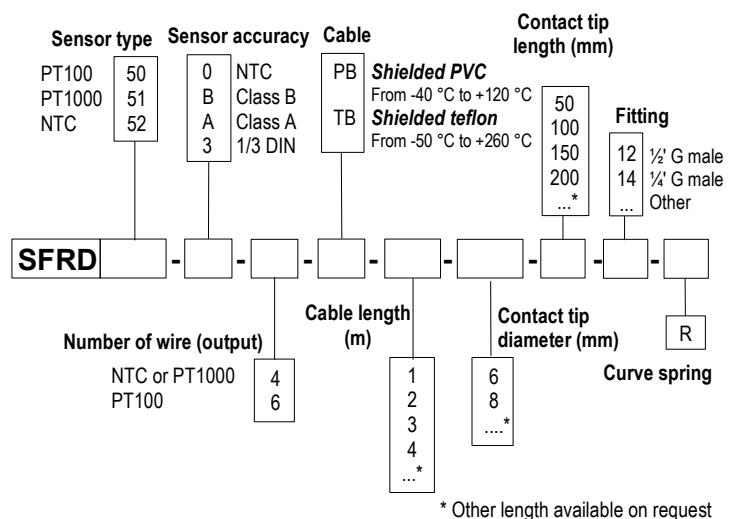
PART NUMBERS

SFR 50 – Simple pair probe



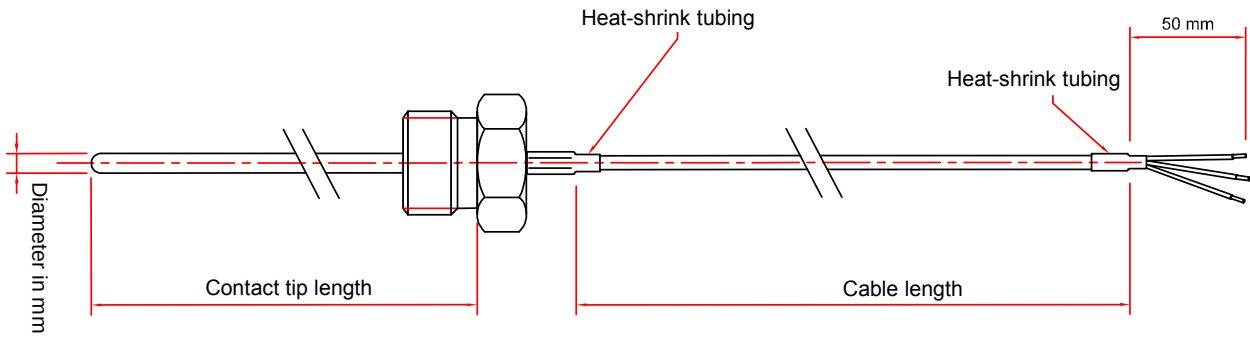
Example: SFR51-B-2-P-1-4-100-12
Model: PT1000 temperature probe, Class B, 2 wires, PVC cable of 1m length. Stainless steel contact tip of 4 mm Ø, length 100 mm, fitting process with ½" G thread, without curve spring. **Measuring range from -40 to +120 °C.**

SFRD 50 – Multipair probe



Example: SFRD51-B-4-PB-1-6-100-12
Model: PT1000 temperature probe, Class B, 4 wires, shielded PVC cable of 1m length. Stainless steel contact tip of 6 mm Ø, length 100 mm, fitting process with ½" G thread, without curve spring. **Measuring range from -40 to +120 °C.**

PROBE DIMENSIONS



TOLERANCES* OF PT100 AND PT1000 PROBES

As per IEC 751 (1993) norm.

Temp °C	Tolerances					
	Class B		Class A		1/3 DIN	
	± °C	± Ohms	± °C	± Ohms	± °C	± Ohms
-100	0.8	0.32	0.35	0.14	0.27	0.11
-50	0.55	0.22	0.25	0.1	0.19	0.08
0	0.3	0.12	0.15	0.06	0.1	0.04
100	0.8	0.3	0.35	0.13	0.27	0.1
200	1.3	0.48	0.55	0.2	0.44	0.16
300	1.8	0.64	0.75	0.27	0.6	0.21
400	2.3	0.79	0.95	0.33	0.77	0.26

Resistance values for PT1000 (Ω) must be multiplied by 10 for the same corresponding temperature value (°C). I.e: at 0 °C for PT1000 Class B ± 0.3 °C → ± 1.2 Ω

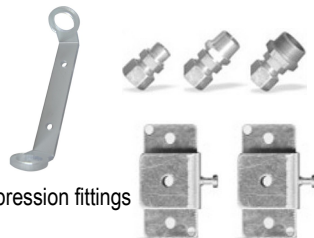
TOLERANCES* OF NTC PROBES

Measuring range °C	Tolerances °C
From -20 °C to 0 °C	± 0.5 °C
From 0 °C to +70 °C	± 0.2 °C
From +70 °C to +100 °C	± 0.5 °C

* Performed in laboratory conditions, the above accuracies mentioned in this document will be guaranteed, provided that you use the calibration compensation data or identical calibration conditions.

ACCESSORIES (SEE DATASHEET)

- Transmitter 4/20 mA or 0/10 V output
- Wall mounting support
- Stainless steel mounting brackets
- ¼" or ½" Gas screw nut
- Compression fittings
- Teflon or stainless steel ferrule for compression fittings



- Sleeve to weld for food industry (with sleeve ½" G female to weld)
- Stainless steel junction fitting
- ½" Gas or NPT thread cuff
- Thermo-conducting silicone grease
- Calibration certificate
- Thermowell



www.kimo.fr

Distributed by :



EXPORT DEPARTMENT
Tel : + 33. 1. 60. 06. 69. 25 - Fax : + 33. 1. 60. 06. 69. 29
e-mail : export@kimo.fr